

DEGA MR II

OPTICAL SIGNALING BEACON

- 3 options for setting the optical signaling
- Input voltage 9-60 V
- IP 65



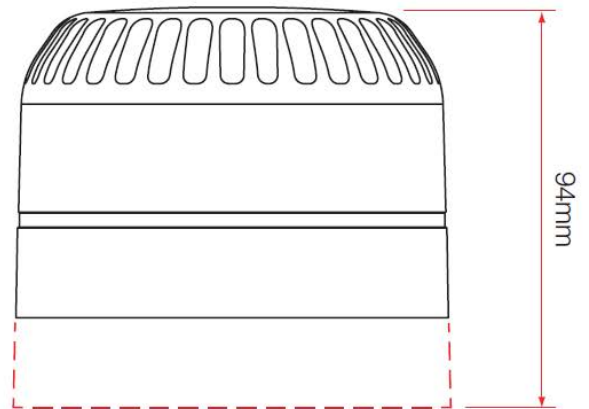
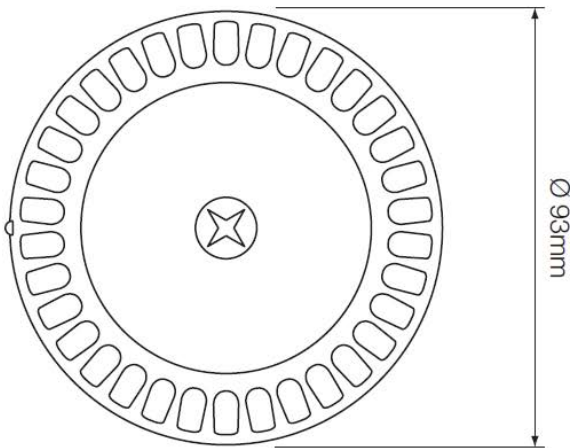
ISO 9001:2015
Quality management Systems
Système de Qualité
www.sgs.com

Optical signaling beacon **DEGA MR II**

The DEGA MR II optical signaling beacon is part of the DEGA gas detection system. It is designed as a compact device for installation in non-explosive areas. Thanks to the wide input voltage band and the possibility of synchronization, it is very flexible equipment for all types of signaling and monitoring systems.

TECHNICAL DETAILS:

Input voltage:	9-60 VDC
Current:	3/5/15 mA (optional level)
Light output:	0.5/1/3 cd (optional level)
Ambient temperature:	-25 °C to +70 °C
Design:	ABS - base, PC - diffuser
Cover:	IP 65
Weight:	0,1 kg
Color design:	red
Dimensions:	93 x 93 mm (WxH)



■ ACCESSORIES:



DEGA TL II
stop button



External power
supply
DR 60W, DR 100W



Accessory box