

# DEGA MR-EX II

## OPTICAL SIGNALING BEACON

- 6 x LEDs with high light output
- Prismatic diffuser
- Input voltage 16-28 V
- IP 65



**ISO 9001:2015**  
Quality management Systems  
Système de Qualité  
www.sgs.com

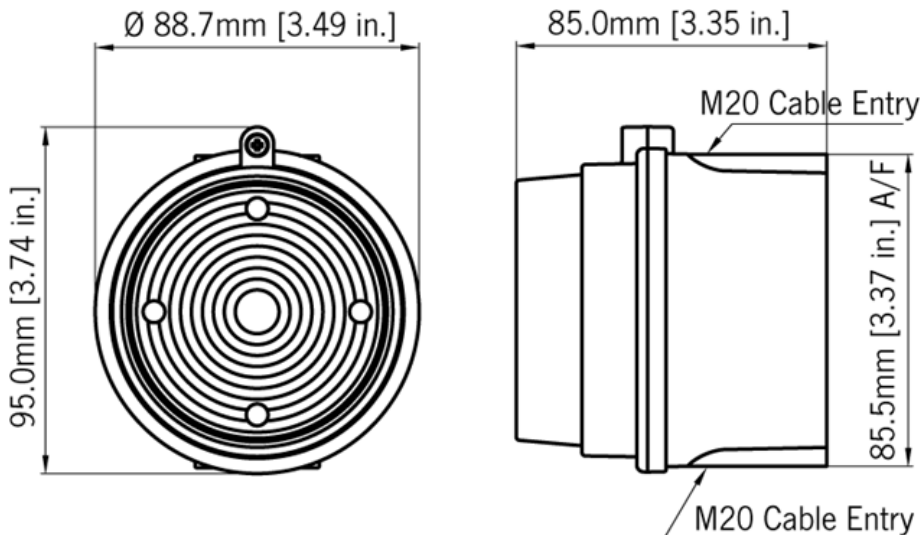


# Optical signaling beacon **DEGA MR-EX II**

The DEGA MR-EX II optical signaling beacon is part of the DEGA gas detection system. It is designed as a compact device for installation in potentially explosive atmospheres. The beacon has a double flash at 2 Hz and 1 Hz. The power supply must be provided by means of a Zener barrier or a galvanic isolator within the intrinsic safety mode.

## TECHNICAL DETAILS:

Input voltage:	16 - 28 VDC across the Zener barrier
Current:	25 mA when powered from a 24 VDC source
Light output:	23 cd
Ambient temperature:	-40°C - + 60°C
ATEX class:	II 1G Ex ia IIC T4 Ga (-40 °C ≤ Ta ≤ + 60 °C); IS Class I, Zone 0, AExia IIC T4
Cover:	IP 65
Terminals:	0-5 - 2,5 mm <sup>2</sup>
Color design:	red RAL 3000
Dimensions:	93 x 93 mm (P×V)
Grommets:	2 x M20 with nut



## ACCESSORIES:



DEGA TL II  
stop button



Accessory  
box



External power  
supply  
DR 60W, DR 100W



Zener  
barrier